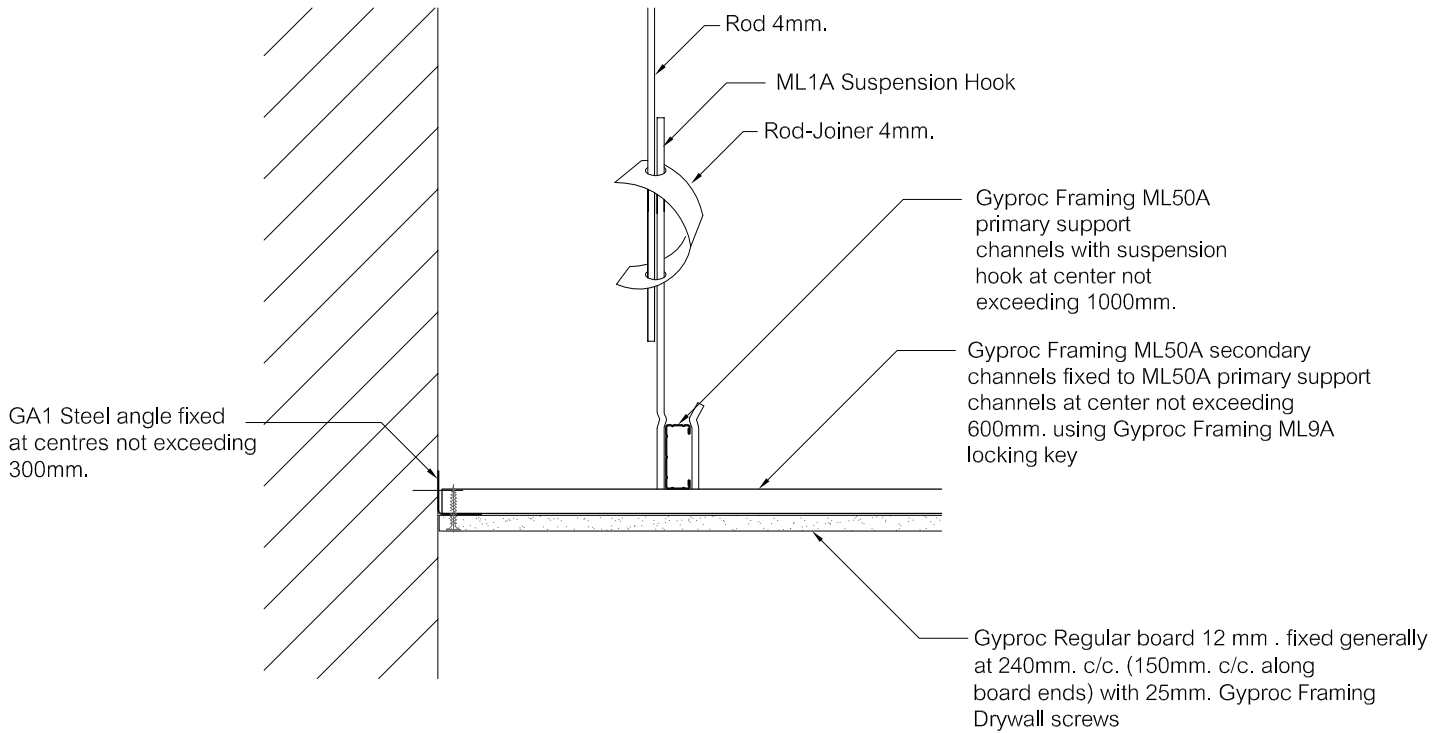


This drawing is provided to customers free of charge and the details show are subject to the accuracy of the information provided to Thai Gypsum at the time the drawing was originally requested. As a result of this sole liability for the details show cannot be accepted by Thai Gypsum. the drawing should therefore be approved by the project design and management authority before use to ensure that it meets with their specific project requirements. It should also be read in conjunction with Thai Gypsum's current literature available at [www.thaigypsum.com](http://www.thaigypsum.com) - Topping and finishing in accordance with Thai Gypsum's current recommendations is assumed - We would also draw your attention to the Construction (Design and Management) which detail the legal duties of clients, client's agents, designers and contractors involved in construction projects.



Section cross main runner

Technical Center

Title :

**Concealed ML50A 12mm. Regular : Section Details**

Project :		Dwg no. :	Rev. :	Scale :	Date :
		- CC.0.20.0047	0	None	11 May 2020
Drawned :	Approved :	File Ref :			
Chanachai S.	Teerasak T.	Concealed Grid - Gyproc Regular board 12mm.dwg			

